

# AJP-S660 Series 250W-290W Mono-Crystalline Photovoltaic Modules

## Electrical Performance @ STC<sup>\*1</sup>

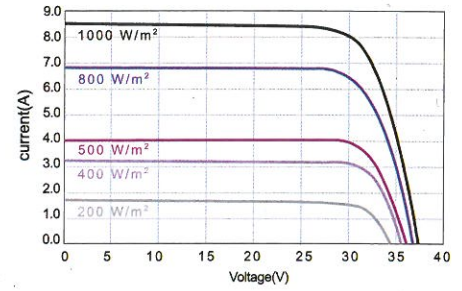
Maximum Power	Pmax[Wp]	250	255	260	265	270	275	280	285	290
Power Tolerance <sup>*2</sup>		+/-3%	+/-3%	+/-3%	+/-3%	+/-3%	+/-3%	+/-3%	+/-3%	+/-3%
Solar Cell Type Mono-crystalline 6" (156 x 156 mm)										
Number of Solar Cells 60(6x10)										
Maximum Power Voltage	Vmp[V]	30.40	30.75	30.99	31.28	31.63	31.87	32.10	32.22	32.58
Maximum Power Current	Imp[A]	8.22	8.29	8.39	8.47	8.54	8.63	8.72	8.85	8.90
Open Circuit Voltage	Voc[V]	37.49	37.86	38.16	38.47	38.71	38.95	39.34	39.93	40.17
Short Circuit Current	Isc[A]	8.89	8.98	9.08	9.18	9.30	9.41	9.49	9.52	9.63
Module Efficiency	[%]	15.4%	15.7%	16.0%	16.3%	16.6%	17.0%	17.2%	17.6%	17.9%

\*1 STC: Irradiance level 1000 W/m<sup>2</sup>; Spectral AM1.5; Temperature 25°C

\*2 Power tolerance can be adjusted upon requests

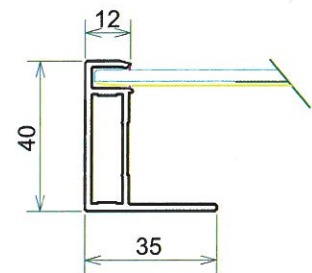
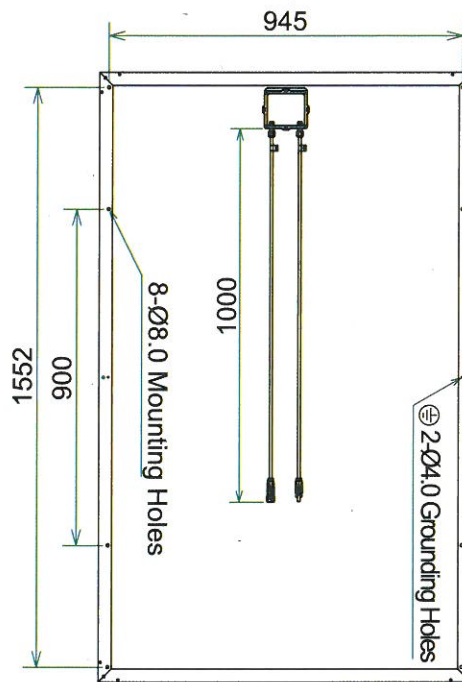
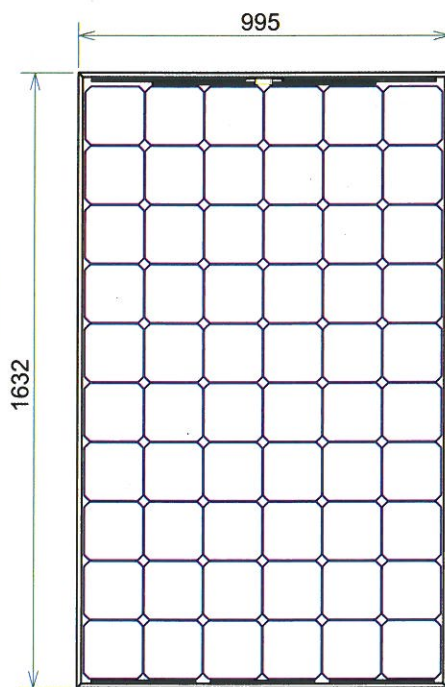
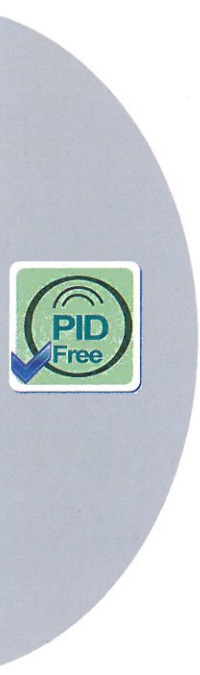
\*3 NOCT: 46±2°C

## IV Curve



## Mechanical Characteristics

Dimensions of the Module (W×H×D)(mm)	SEE AS BELOWS
Weight of the Module(kg)	19.5
Junction box	IP 65 or above with 3 bypass diodes ; cables 1M/φ 4 mm <sup>2</sup>
Series fuse rating Inside Junction Box	15A



## Warranty

### Product Warranty:

5 years for material and workmanship

### Performance Guarantee:

90% for 10 years Guaranteed output

80% for 25 years Guaranteed output

## Working Condition

Maximum System Voltage: 1000V

Operating Temperature: -40 ~ +85°C

Maximum Static Load: Snow load 5400pa

Wind load 2400pa

## Temperature Coefficient

Isc Temperature Coefficient:  $\alpha$  (%/°C) +0.06

Voc Temperature Coefficient:  $\beta$  (%/°C) -0.30

Pmax Temperature Coefficient:  $\gamma$  (%/°C) -0.44

## Certificate



## Packing Configuration

Container	20'GP	40'HQ
Pieces per pallet	52	26
Pallets per container	6	28
Pieces per container	312	728